



CARRY solutions

A range of products adapted to your requirements and offering an alternative to wooden pallets.



Eliminates wooden pallet



Affordable



Special export shipping containers



Not subject to ISPM 15 regulations



Optimises the loading rate



Space-saving



Saving time during loading



Less physically demanding

SLIP SHEET

The best solution for the Export Supply Chain

The SLIP SHEET is the solution for your shipments in sea containers: an excellent alternative to the wooden pallet.

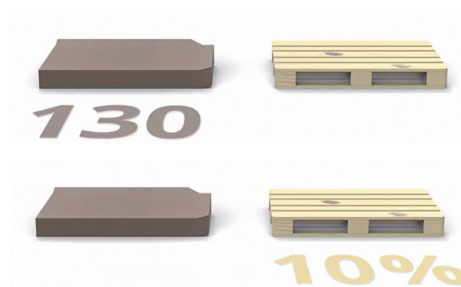
They allow you to optimise the loading and unloading of containers because they eliminate manual operations (saving time and manpower) and remove the problems associated with using wood for export (no need for ISPM 15 treatment).

CORPAL offers you a whole range of SLIP SHEETS that will easily accommodate your shipments.

Benefits features

- > Less storage space required (the volume of 1,300 Slip Sheets = 10 wooden pallets)
- > Recyclable | Eco-friendly
- > Not subject to ISPM 15 regulations
- > Hygienic
- > Significant economic gain
- > Optimise your storage space | Save time loading and unloading
- > Composed of glued laminated kraft paper sheets, the Slip Sheet is available in several thicknesses depending on the load
- > Standard or custom size
- > Option: special treatment

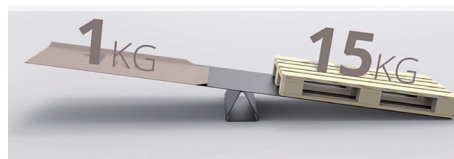
► Save space during storage and loading



Height of one pallet = 130 Slip Sheets

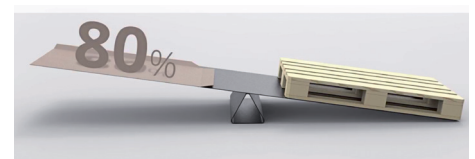
In a 40-foot container loaded with 40 stackable 1000 x 1200 pallets, the volume of the pallets represents almost 10% of the useable volume

► Saving in weight



1 pallet 15 kg - 1 Slip Sheet 1 kg

► Saving in purchase price

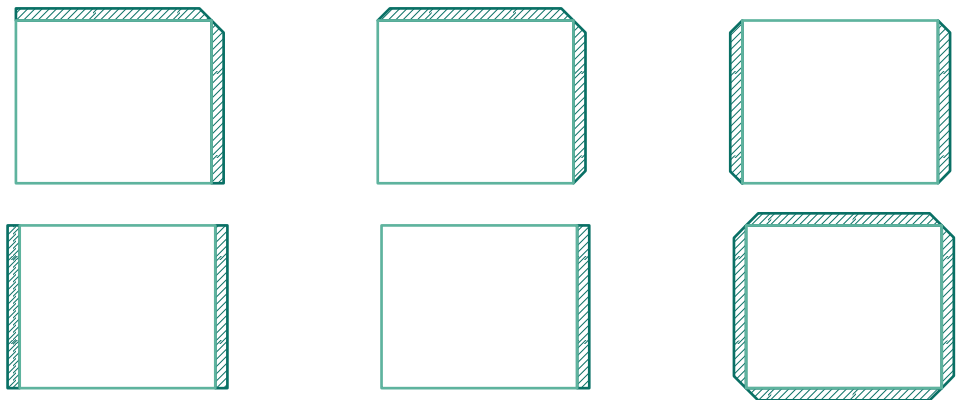


80% gain compared to a wooden pallet



Dimensional specifications

Possible configurations



Standard formats :

- 800 x 1200
- 1000 x 1200
- Other sizes : please contact us
- Flange size : 75 mm (other sizes : please contact us)

Options

PROTECTION

PE coating on one or both sides

Technical specifications

Nominal thickness	0,8	1,1	mm	+/- 5 %
Nominal weight	620	825	g/m ²	+/- 5 %
Humidity	7 %	7 %		
Colors	Brown	Brown	-	-
Recyclability	100 %	100 %	-	-
Tear strength machine direction	60	80	kN/m	+/- 5 %
Tear strength opposite direction	20	30	kN/m	+/- 5 %
Maximum weight supported	900	1 200	kg	+/- 5 %

Other thicknesses : please contact us

SLIP SHEETS
are used with
a special tool

